

SPECIAL EQUIPMENT
SONDERZUBEHÖR
EQUIPEMENT SPECIAL

from No / up to No

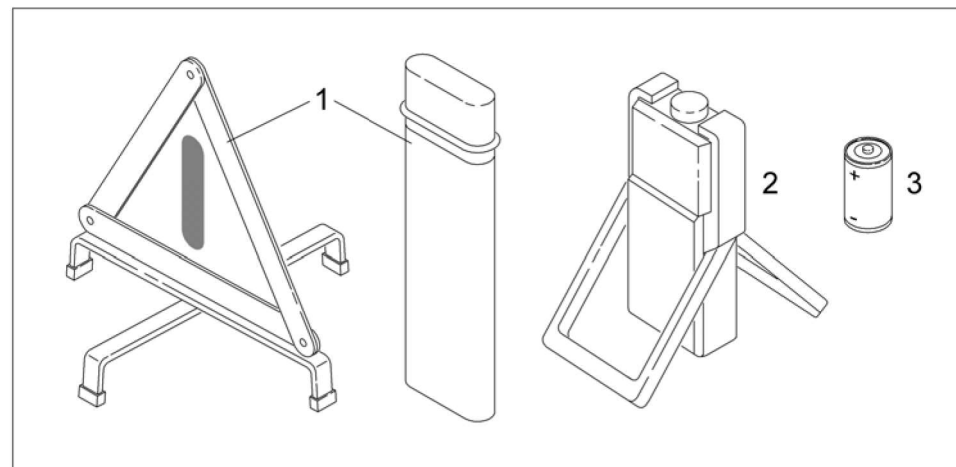
Figure

Bild 99707060112

Figure



2800-10



50